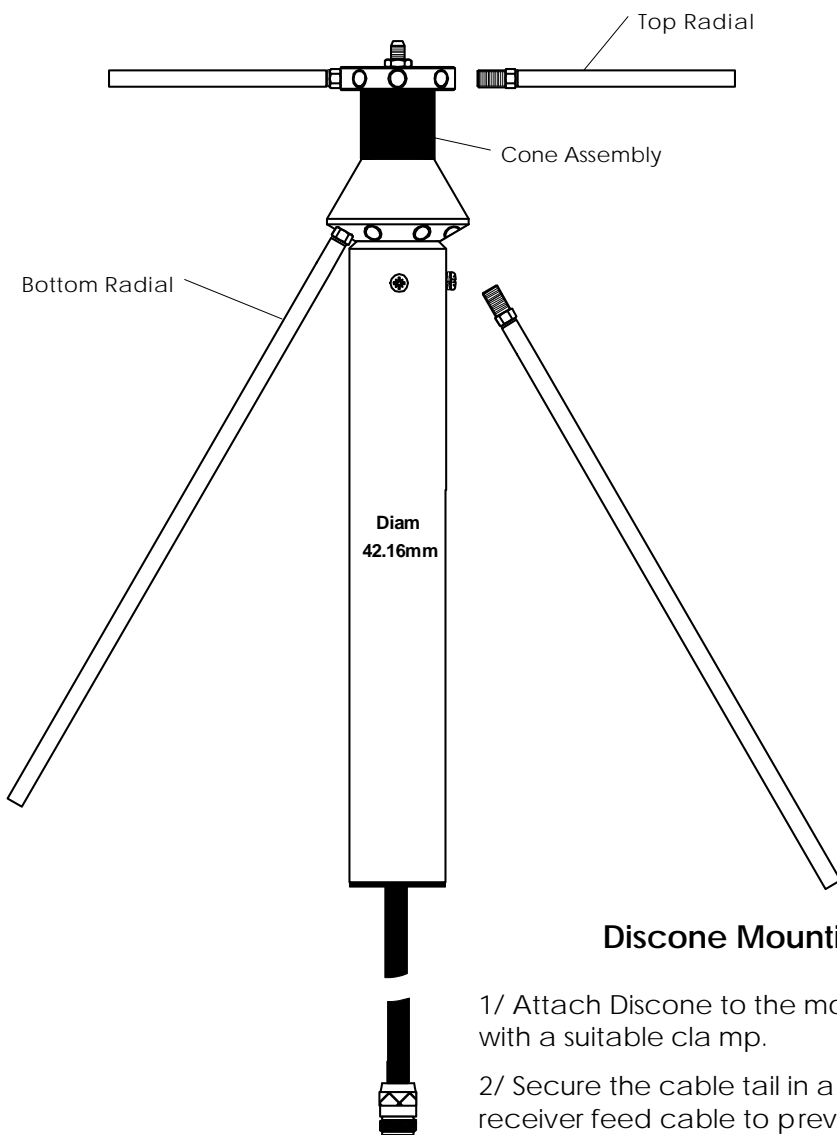


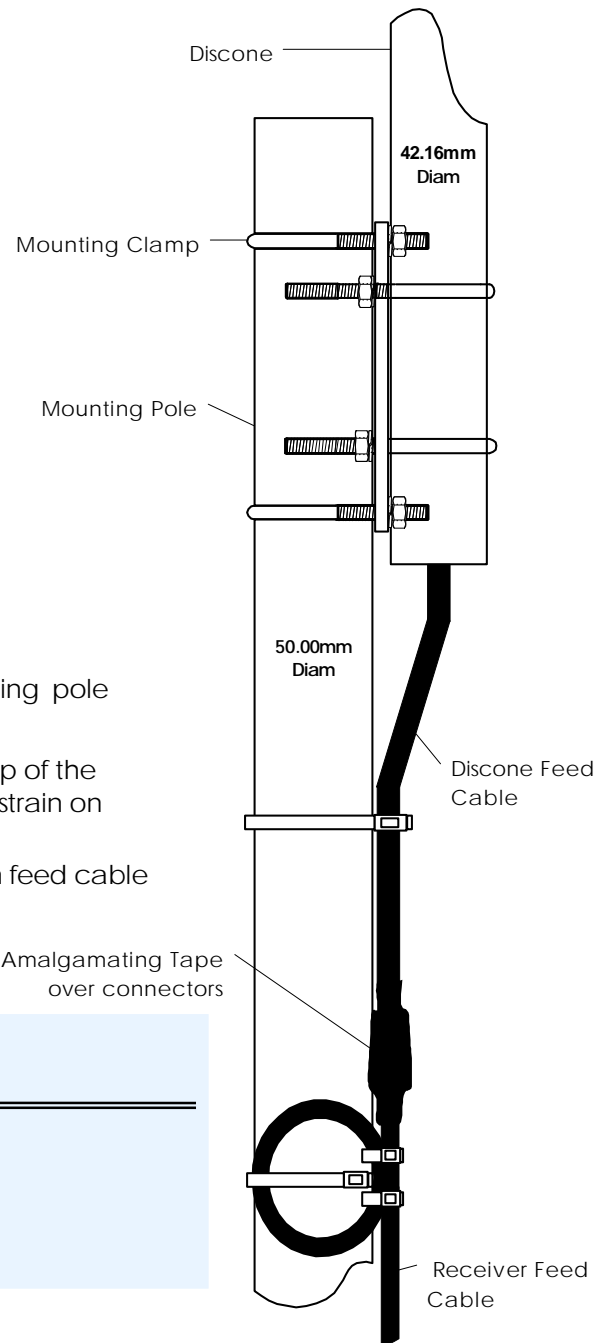
Part No 02686

DISCONE ANTENNA



Discone Assembly

- 1/ Fit **8 off**, Top Radials (shorter radials) into the cone assembly and tighten with a spanner.
- 2/ Fit **8 off**, Bottom Radials (longer radials) into the cone assembly and tighten with a spanner.



Discone Mounting

- 1/ Attach Discone to the mounting pole with a suitable clamp.
- 2/ Secure the cable tail in a loop of the receiver feed cable to prevent strain on the discone feed cable.
- 3/ Cover mating connectors on feed cable with self amalgamating tape.

Recommended Mounting
Clamp is Benelec model
02815 or 02814

Mechanical Specifications

| | |
|---------------|---------------------|
| Length: | 587 mm |
| Width: | 467mm |
| Weight: | 3 kg |
| Termination: | N Type Female |
| Construction: | All Stainless Steel |

Warranty

3 years

* Please refer to Benelec Standard Warranty Terms and Conditions