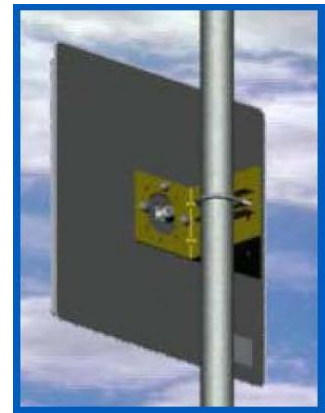


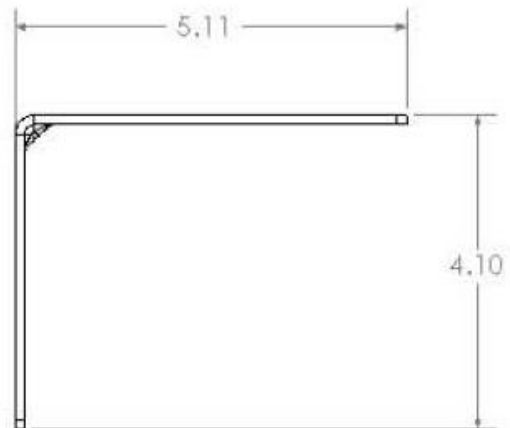
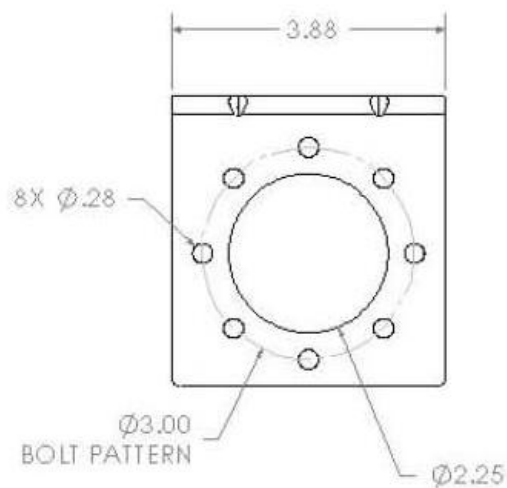
## High Strength Panel Antenna Mounting Bracket Kit

### Features

- New and Improved Design
- High Strength & Low Weight
- Well Priced



### Interface Dimensions (inches)



### Specifications

Material	Pole Mount Size	Azimuth Adjustment	Elevation Adjustment	Weight	Hardware
Zinc Plated Steel	Up to 1-3/4" Dia	0° to 360°	± 25°	0.64kg	Includes all necessary hardware for pole mount plus three 1/4-20 zinc plated steel flange nuts for antenna attachment