

Feed-thru Entry Panels for Coaxial Cable Applications

1237 IB A

PRODUCT DESCRIPTION

Aluminum Feed-thru Entry Panels enable multiple coax runs to enter buildings and shelters. Rugged EP-Series entry panels support coax at the entry point and prevent moisture from entering the building. EP panels feature a 4" or 5" opening to accept boot assemblies. They can be used in both interior and exterior wall mounting applications. Each feed-thru entry panel includes a set of wall attachment hardware including #14 stainless steel screws, finishing washers and plastic anchors. A powder-coated A5A70 grey finish supplies entry port panels with an aesthetically pleasing appearance and protection against extreme environmental conditions. Sealing caps for all openings are included.

NOTICE

Installation of this product should only be performed by trained, qualified and experienced personnel. Installation instructions for this product should be read thoroughly before installation is performed. The manufacturer and supplier of this product disclaims any liability or responsibility for the results of improper or unsafe installation practice.

MATERIAL LIST

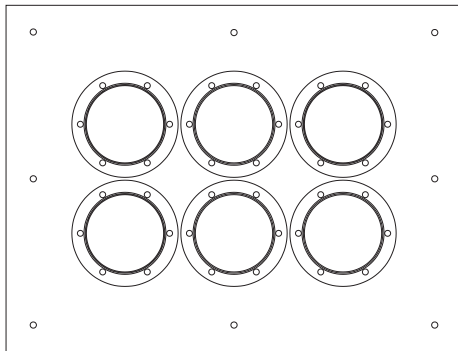
- EP-Series Entry Panel
- Hardware Kit
 - Hardware Kit contains:
 - a) PL-138#14 (Plastic Anchors)
 - b) SW-F#14 (SS Finishing Washers)
 - c) SO-14x150 (SS Oval Tapping Screws)

(Hardware kit material quantities vary according to entry panel ordered.)

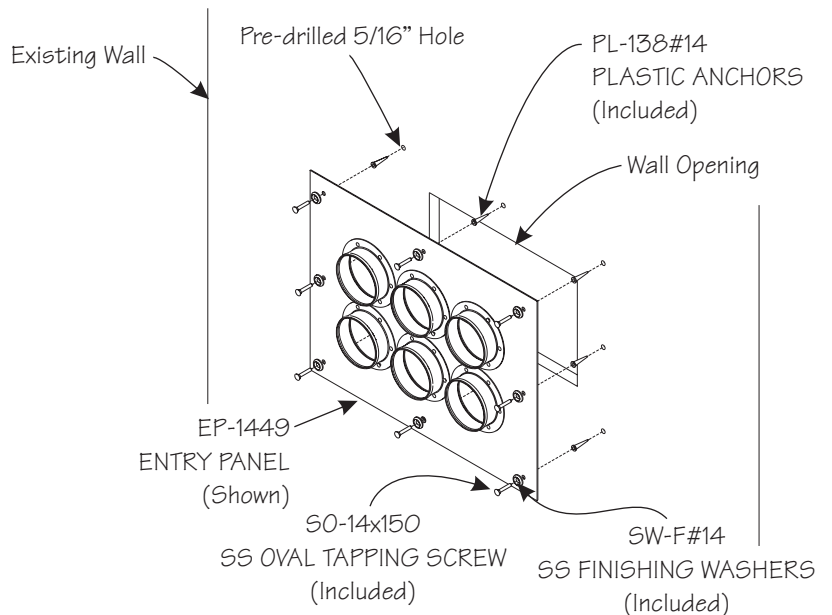
REQUIRED TOOLS

- Drill
- Phillips Head Screwdriver bit
- 5/16" Drill Bit
- Hammer
- Tape Measure
- Caulking Gun with Tube of Silicon

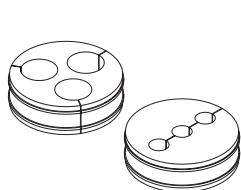
TYPICAL APPLICATIONS



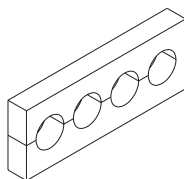
NOTE: For a better anchor bond, fill pre-drilled holes with silicon before inserting anchor



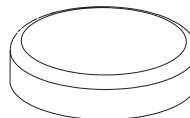
ADDITIONAL MOUNTING ACCESSORIES



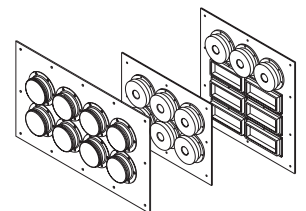
Standard Cushions



Rectangular
Cushion Inserts



Entry Port
Sealing Cap



Entry Port Systems

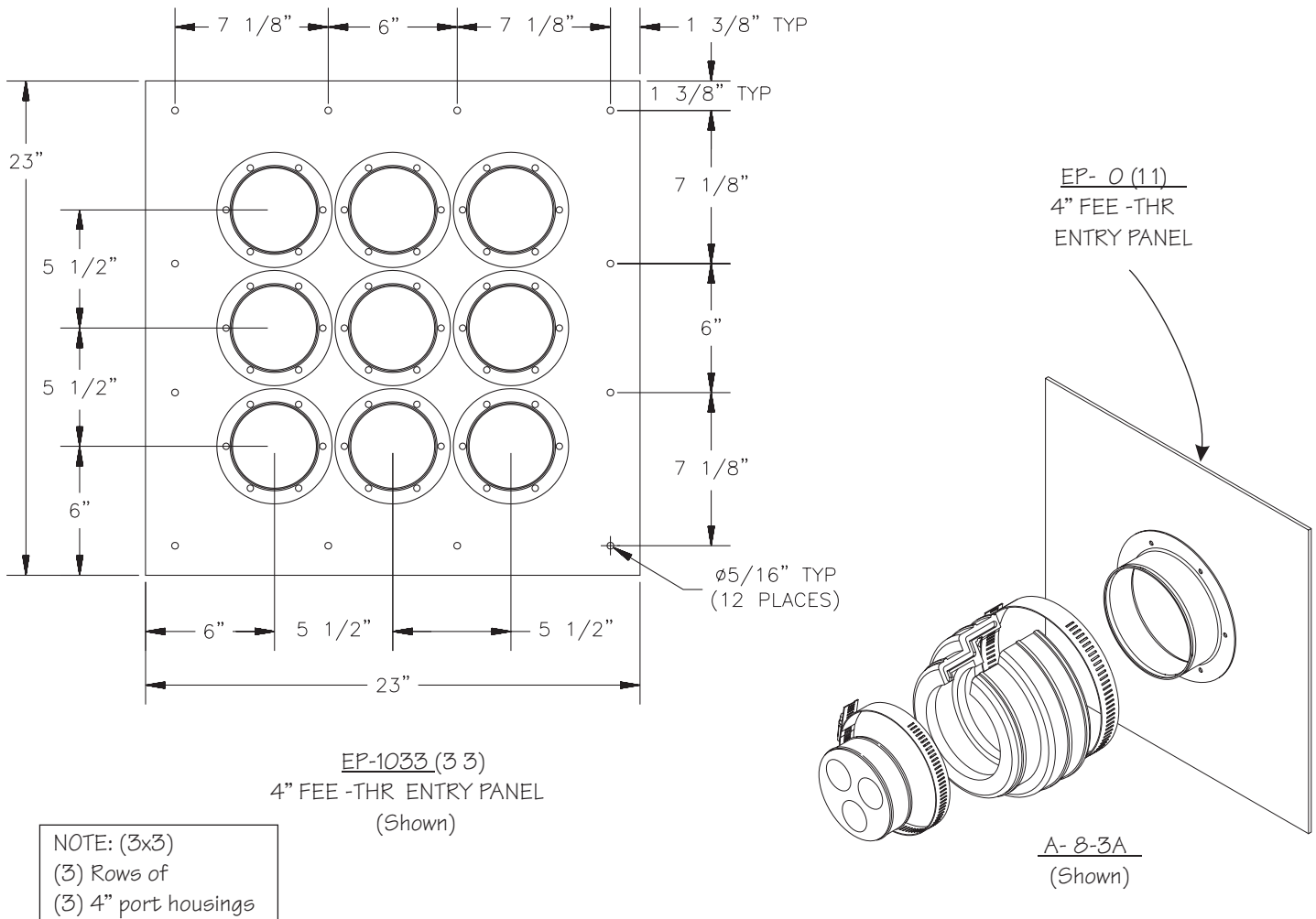
Feed-thru Entry Panels
EP-1033

1245 PR B

PRODUCT DESCRIPTION

Aluminum Feed-thru Entry Panels enable multiple coax runs to enter buildings and shelters. The entry panel supports coax at the entry point and prevents moisture from entering the building. Feed-thru entry panels feature 4" openings to accept boot assemblies. They can be used in both interior and exterior wall mounting applications. Each feed-thru entry panel includes #14 stainless steel screws, finishing washers, plastic anchors, and entry port caps. Feed-thru entry panels are manufactured from .080" aluminum and are powder coated to ensure long term integrity and provide appealing aesthetics.

TYPICAL APPLICATIONS



SPECIFICATIONS

Entry panels are manufactured from .080 aluminum and are powder coated. All attachment hardware is stainless steel.

EED T R U ENTR PANEL					
P D		Wall Opening Size		Q	
EP-1033	Entry Panel, port, 3 3	15	15	7.1 lbs.	Each