

02531 Side Mounted Single Dipole

Installation Instructions

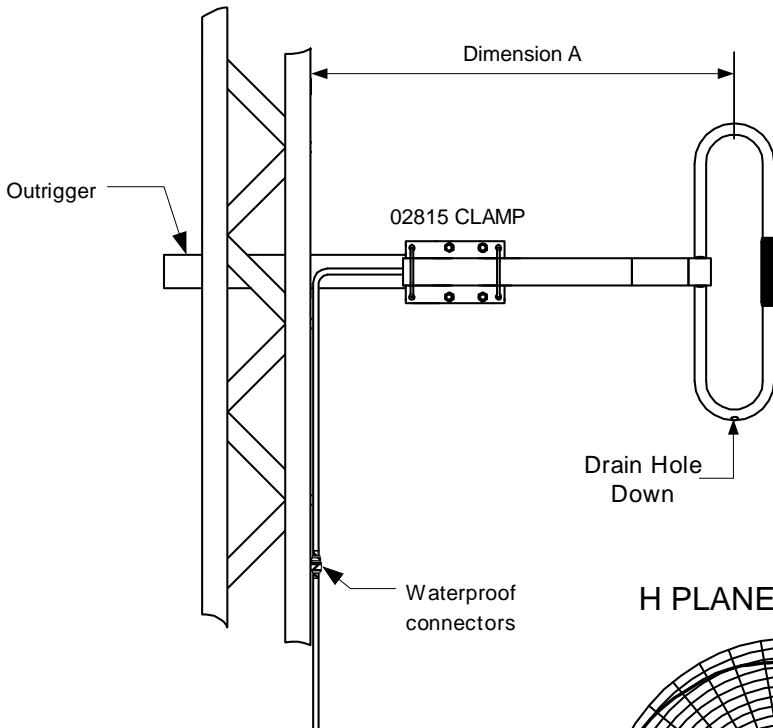
It is recommended when mounting the antenna to the mast, that all connections be correctly waterproofed; pay particular attention to the mating connectors. Attention should also be paid to the correct phasing of the dipole, it is essential that drain hole be facing down on the dipole.

Shown below are the optimum mast spacings for the model 02531.

The Mast spacings offer different H plane radiation patterns.

The 1/2 wave and 1 wavelength spacings may be achieved using an outrigger (as shown).

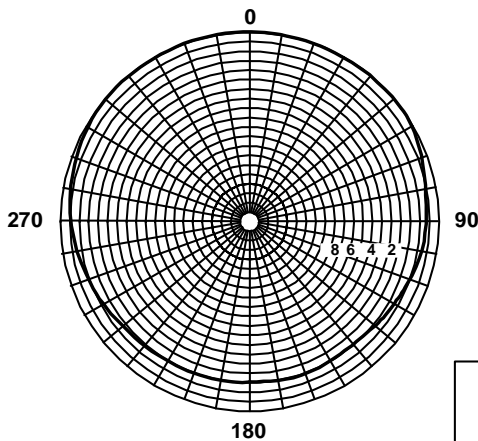
The gain of this antenna is unity with a horizontal 3DB beam width of 80 degrees.



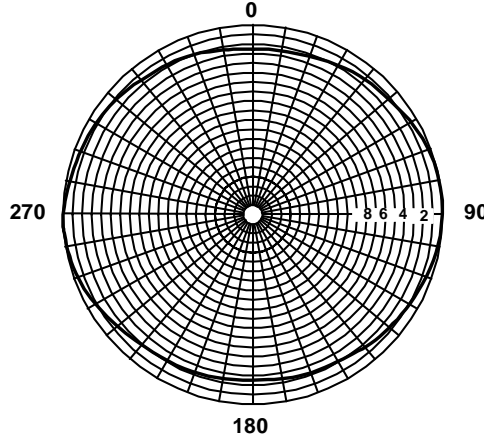
Recommended Clamps:

- 02810S** Right Angle S/Steel,
- 02811** Parallel Galvanized,
- 02811S** Parallel S/Steel,
- 028112** Heavy Duty Right Angle,
- 02813** Parallel Galvanized,
- 02814** Universal Heavy Duty S/Steel and
- 02815** Universal Heavy Duty S/Steel

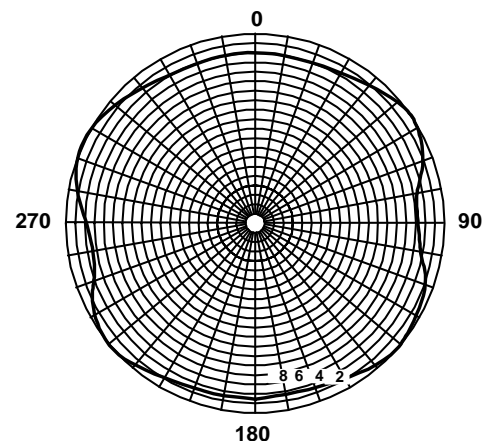
H PLANE 1/4 WAVE



H PLANE 1/2 WAVE



H PLANE 1 WAVE



Frequency	Dimension A 1/4 wavelength	Dimension A 1/2 wavelength	Dimension A 1 wavelength
148-174 MHz	466mm	932mm	1864mm