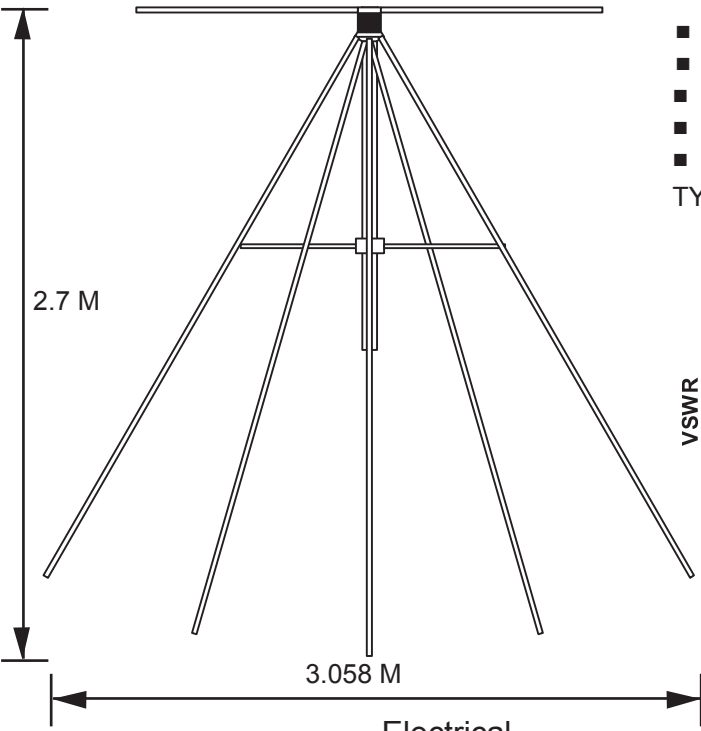


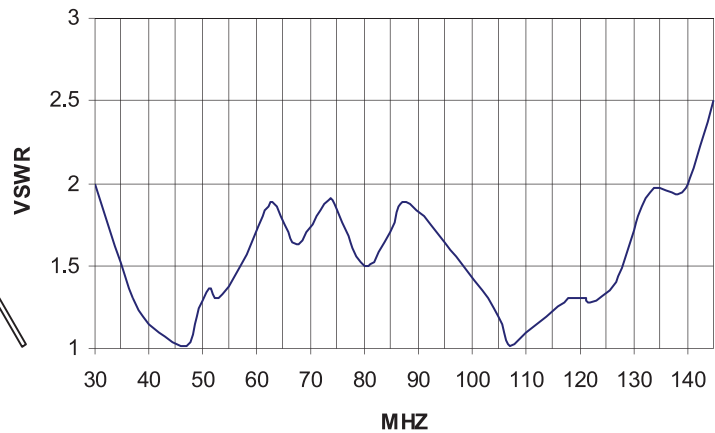
## 02211 BROADBAND DISCONE ANTENNA

The 02211 Discone Antenna is a broad frequency antenna suited to applications across the frequency range 30-140 MHz (Transmit). All radiation patterns have been tested and verified on an antenna test range. Its stable radiation pattern across the 30-140 MHz band allows for accurate performance. Robust construction of both the central feed section and matching radials makes for a reliable and attractive antenna.



- All Aluminium Construction
- Removable Radials
- Transmit capability
- High Power Handling
- Surface Finish Powder Coated - Military Green / Black

### TYPICAL VSWR RESPONSE



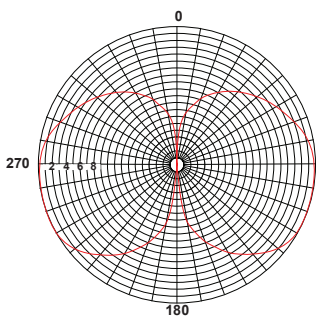
### Electrical

Frequency	Gain(dBd)	Tuned Bandwidth	Operating VSWR	Input Impedance	Vertical Beamwidth	Horizontal Beam width
30-140MHz	See Below	30-140 MHz	2.0:1 Max	50 ohms (Nominal)	See Below	See Below
30 MHz	0.00				85 deg	Omni
70MHz	0.00				85 deg	Omni
120MHz	0.00				85 deg	Omni
140MHz	0.00				85 deg	Omni

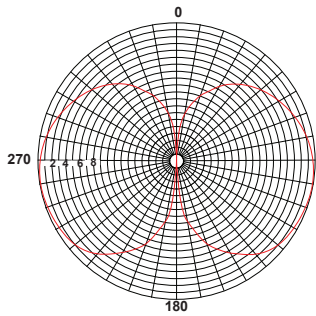
### Mechanical

Construction	Length (m)	Width (m)	Weight (kg)	Termination	Mounting Tube	Projected Area	Wind Loading @ 160 KPH
Aluminium, Delrin	2.7	#3.058	7.36	N Female RG214 Cable Tail	48mm Dia x2.0 metres	0.41202 m <sup>2</sup>	45.48 KG

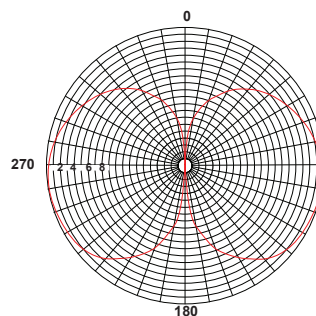
#Across the Cone Base



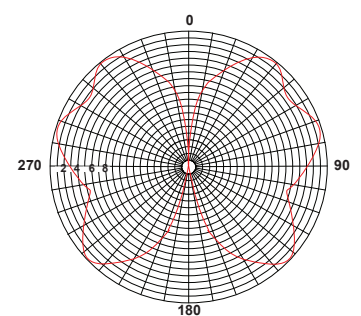
EPLANE 30MHZ



EPLANE 70MHZ



EPLANE 120MHZ



EPLANE 180MHZ